

JRC*Japan Radio Co., Ltd.***NEWS****RELEASE**

Marine RADAR

JMA-3300 series



FEATURES

- Compact all-in-one display unit
- Tough and high visibility 900cd/m² by white LED backlight, glass bonded 10.4" LCD
- Semi-ConstaView™ digital signal processing
- Smooth and comfortable operation
- 10 targets automatic tracking MARPA+™ standard
- 50 AIS target overlay function standard
- AIS used easy vessel searching function DircTrak™
- 48rpm high-speed scanner available in 6 and 10kW model

*Japan Radio Co., Ltd.*

SPECIFICATIONS

MODEL	FREQ.	OUTPUT POWER	TYPE	SCANNER SIZE	ROTATION SPEED	BEAM WIDTH	POWER SUPPLY / COMSUMPTION
JMA-3314	X-band (9410MHz)	4kW	dome	620mm (NKE-2042)	27rpm	H:4°, V:25°	DC12/24V -10/+30%*1 Approx 60W
JMA-3316		6kW	open	3.9ft (NKE-2062)	16-27rpm	H:2°, V:30°	DC12/24V -10/+30%*1 Typcal : approx 85W in maximum wind velocity : approx 130W(STD) / approx 230W(HS)
JMA-3316HS				3.9ft (NKE-2062HS)	27-48rpm		
JMA-3340-4		10kW	open	4 ft (NKE-2103-4)	16-27rpm	H:1.8°, V:20°	DC24V -10/+30% Typcal : approx 100W in maximum wind velocity : approx 210W(STD) / approx 360W(HS)
JMA-3340-6				6 ft (NKE-2103-6)		H:1.2°, V:20°	
JMA-3340-4HS				4 ft (NKE-2103-4HS)	27-48rpm	H:1.8°, V:20°	
JMA-3340-6HS				6 ft (NKE-2103-6HS)	H:1.2°, V:20°		

*1 Cable length up to 20m at DC12V, and HS model is only DC24V

RADAR PERFORMANCE

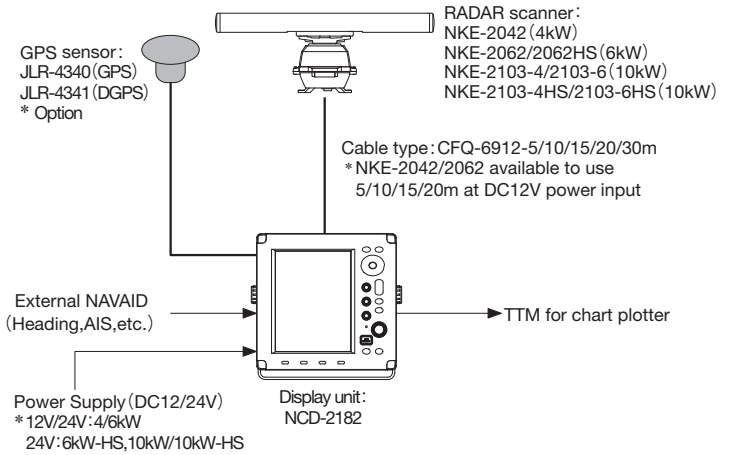
Maximum detection range	4kW:48NM, 6/10kW:72NM
Range scale	0.125,0.25,0.5,0.75,1.5,3,6,12,24,48 and 72 NM
Range resolution	less than 30m
Minimum detective range	less than 40m
Bearing accuracy	less than 1°
Pulse width	0.08us/2250Hz, 0.25us/1700Hz,
/Repetition frequency	0.5us/1200Hz,1.0us/650Hz

PRESENTATION

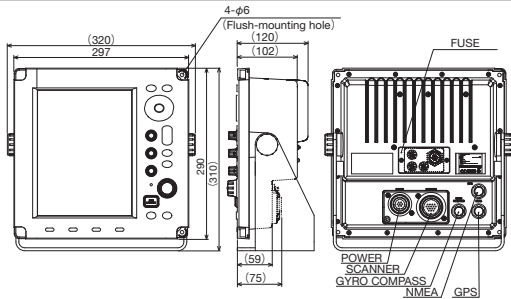
Screen size and resolution	10.4-inch Color LCD, 640 x 480 pixels
Radar diameter	150mm or more
Presentation mode	RM: North-UP, Head-UP, Course-UP TM: North-UP, Course-UP
Anti SEA/RAIN clutters	Auto / Manual
Trail indication	OFF, 15s, 30s, 1min, 3min, 6min, 10min, 15min, All
Off center	2/3 radius of PPI
Barge icon	Available

TARGET TRACKING and AIS FUNCTION

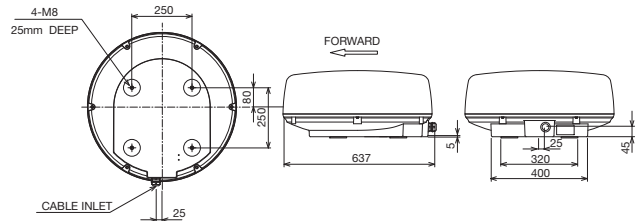
Acquisition mode	Auto/Manual (Auto: New Target)
Tracking target capacity	10 targets
Acquisition and tracking range	20NM
Vector mode and length	True/Relative Vector, adjustable from 1 to 60min
Guard Zone	2 zone
Target Data	True Bearing, Range, True Course, True Speed, CPA, TCPA
Alarms	CPA/TCPA, New Target, Lost, System
AIS Target capacity	50 targets



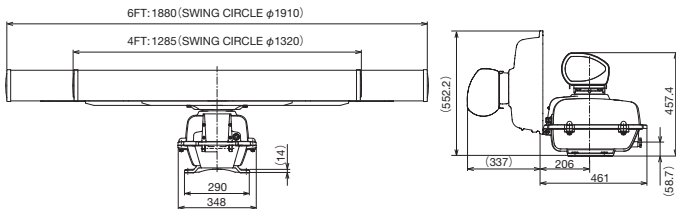
OUTLINE DRAWING



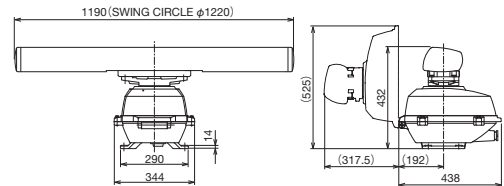
NCD-2182 MASS : Approx. 5kg



NKE-2042 MASS : Approx. 10.5kg



NKE-2103-4/6 MASS : 4ft=Approx.34kg / 6ft=Approx.36kg



NKE-2062 MASS : Approx. 24kg

• Specifications may be subject to change without notice.

For further information, contact:



Since 1915

Japan Radio Co., Ltd.

URL <http://www.jrc.co.jp/eng/>

Main Office: Fujisawa bldg. 30-16, Ogikubo 4-chome
Suginami-ku, Tokyo 167-8540, Japan
Telephone: +81-3-6832-1816
Facsimile: +81-3-6832-1845

Overseas Branches : Seattle, Amsterdam, Athens, Manila
Liaison Offices : Taipei, Jakarta, Singapore, Hanoi,
Shanghai, Hamburg, New York